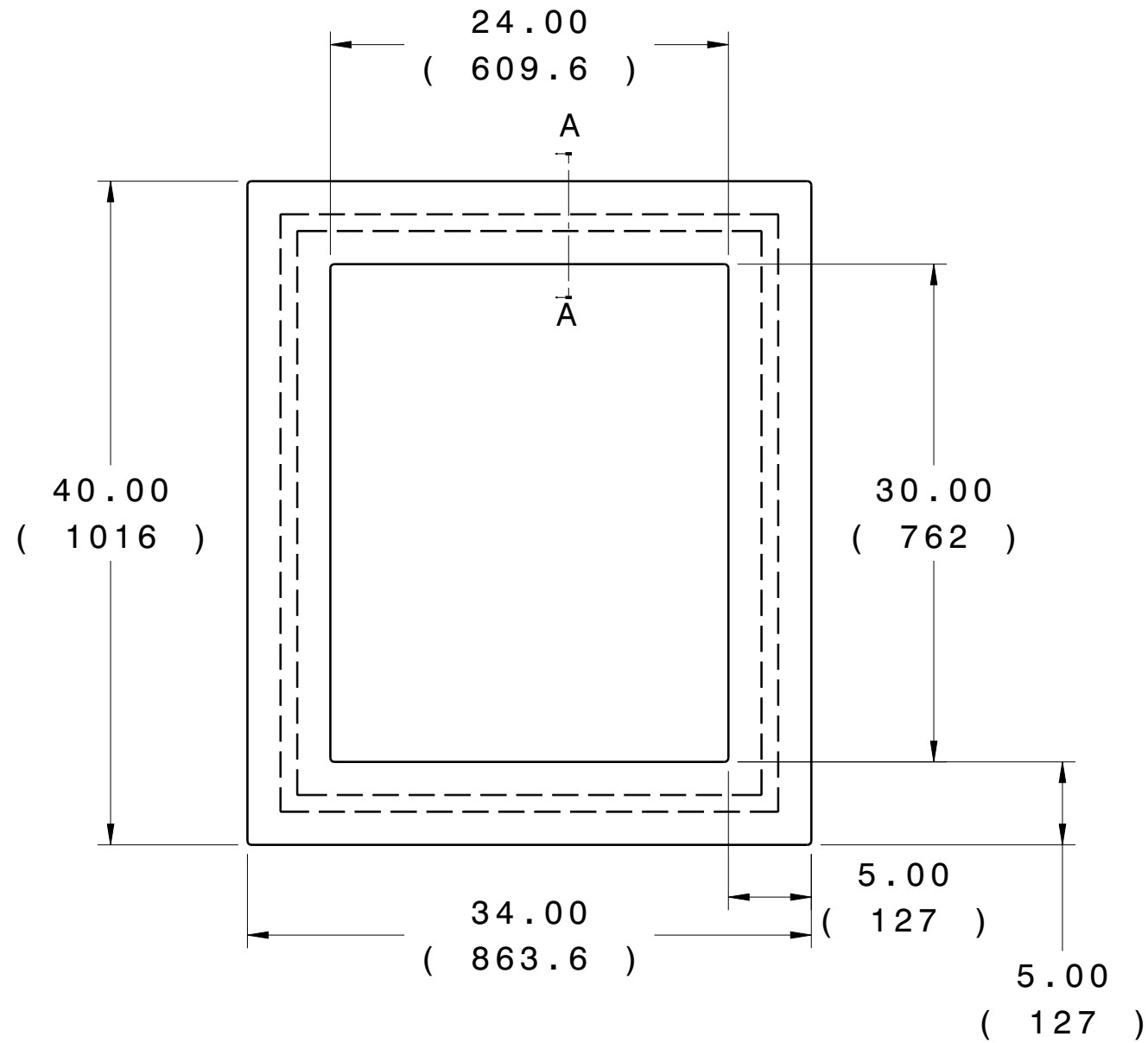
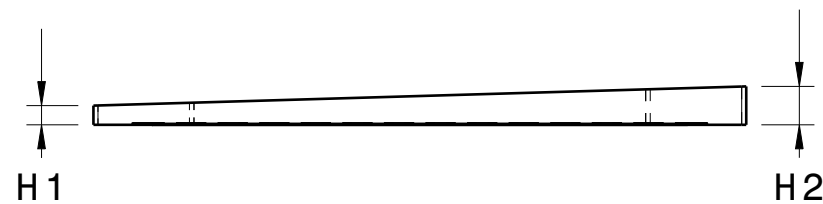


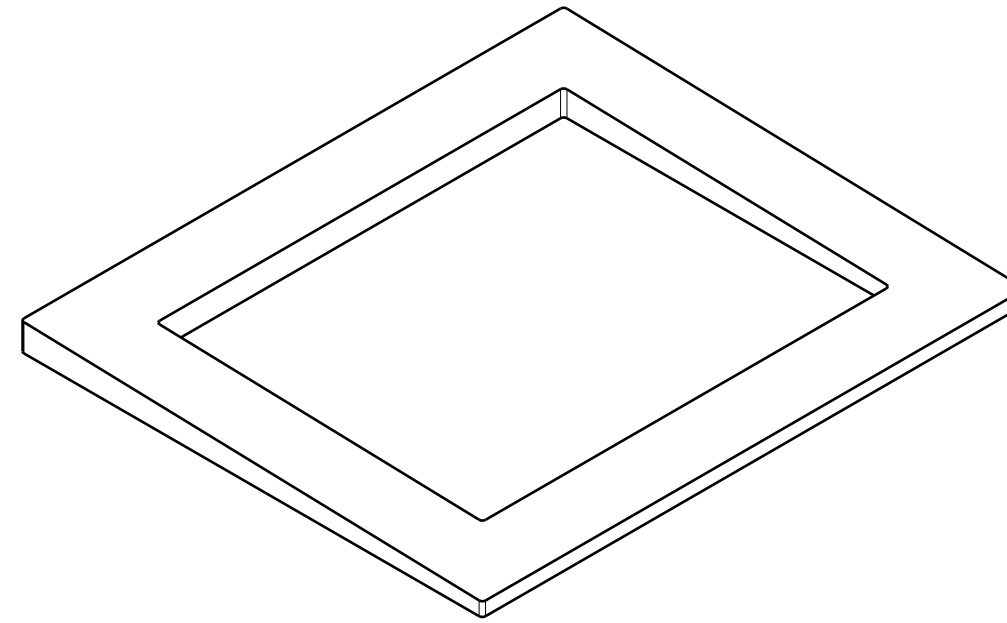
ANGLE RING				
PART NUMBER	OUTER PROFILE (IN.)	INNER PROFILE (IN.)	H1 (IN.)	H2 (IN.)
RT 30-24A 1-2S	40X34	30X24	1	2



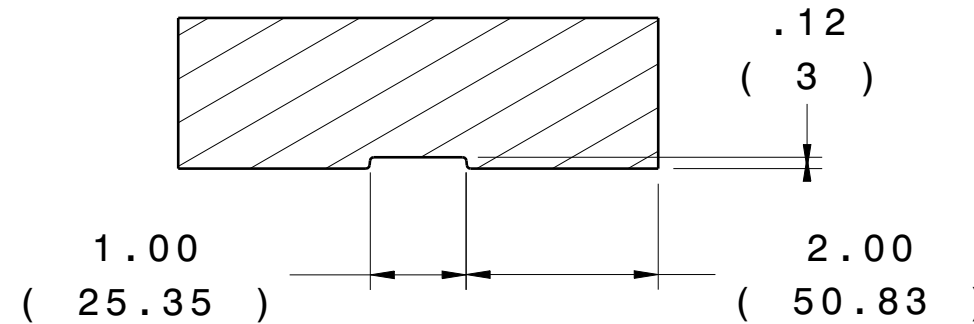
Front view
Scale: 1:10



Bottom view
Scale: 1:10



Isometric view
Scale: 1:10



Section cut A-A
Scale: 1:2

PRO-RING™

MANHOLE ADJUSTMENT SYSTEM

www.cretexseals.com

**30 x 24 SERIES
ANGLE RING**

LOAD RATING

HEAVY DUTY

MATERIAL SPECIFICATION

**ARPRO EXPANDED
POLYPROPYLENE BLACK
5000 SERIES
ASTM-D3575**

LAST REVISED

RAD

DATE

22JUL2015

© 2010 JSP. All Rights Reserved