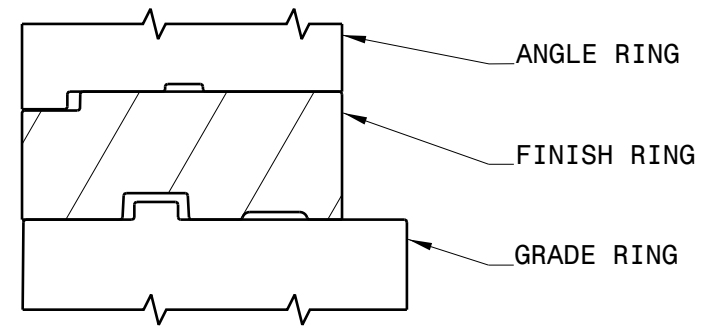


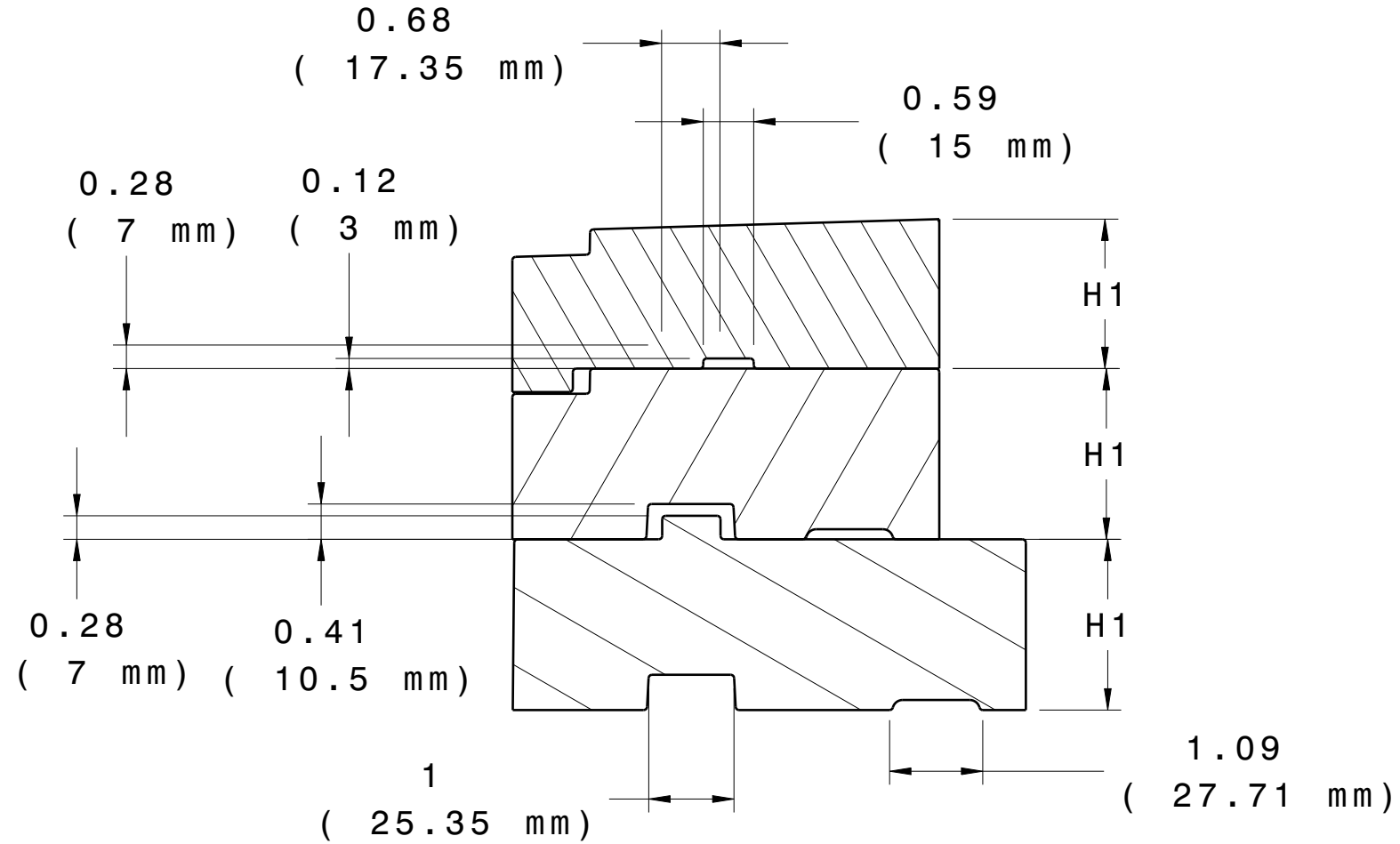
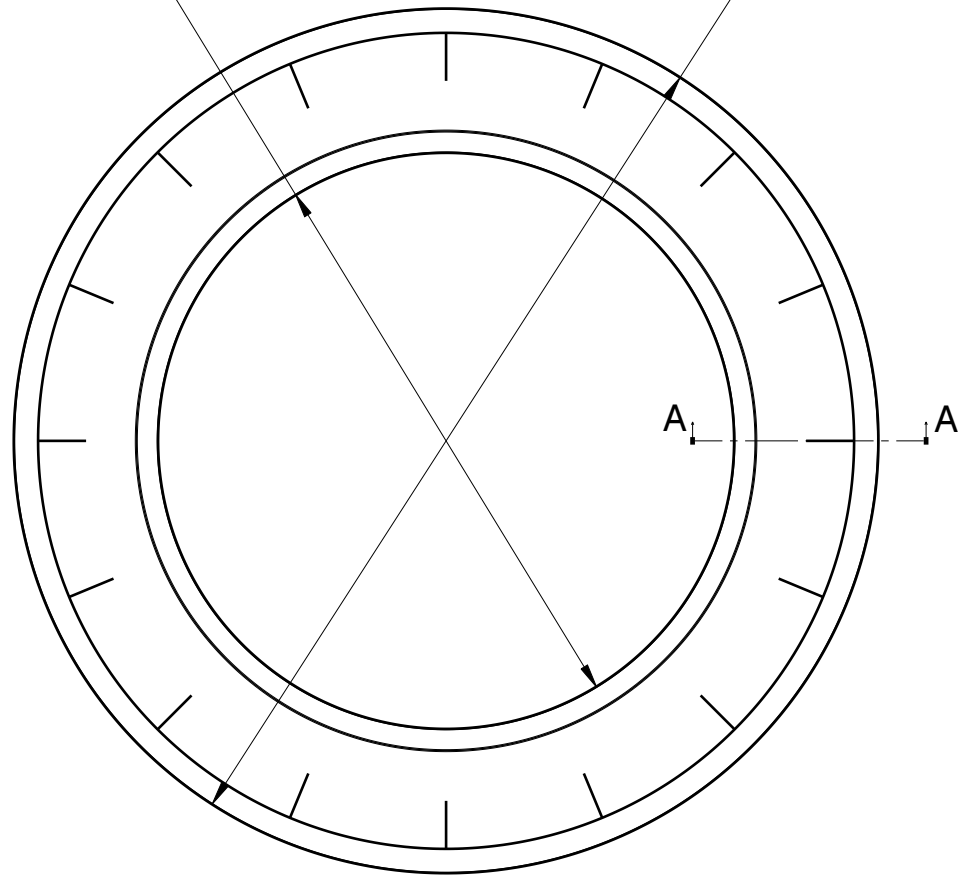
ANGLED, FINISH, AND GRADE RINGS

PART NUMBER	OUTER DIA (IN.)	INNER (DIA (IN.))	H1 (IN.)	H2 (IN.)
34-24A-100	34	24	1.75	0.75
34-24F-200	34	24	2	N/A
36-24G-200	36	24	2	N/A

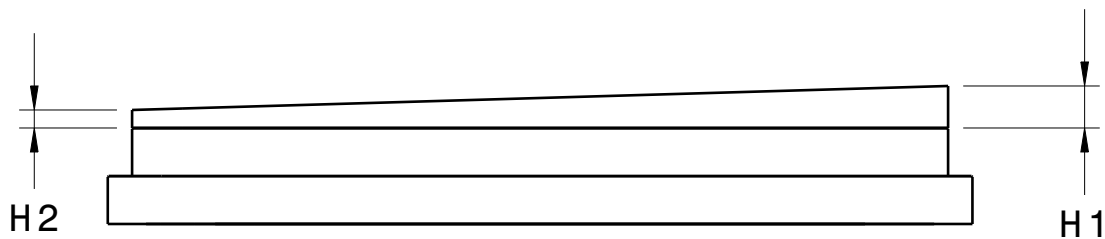


Section
Mating Components

∅ INNER DIA. ∅ OUTER DIA.



Section cut A-A
Scale: 1:2



GENERAL NOTES:

- MEETS HS20/HS25 LOADING PER M306 PROOF LOAD
- ARPRO EXPANDED POLYPROPYLENE BLACK 120 G/L ASTM-D3575
- OVERALL LENGTH & HEIGHT TOLERANCE = +/-0.25 %
- DENSITY/WEIGHT TOLERANCE = +/-10%

SURFACE PROFILE: 5.0mm A B M C M
 NO BURRS AT PARTING LINE PORTION
 ALL HOLES OR SLOT SIZE TOLERANCE: ± 0.5 MM
 MATERIAL SPECIFICATION:
 3D CAD IS MASTER

Scale 1:8
 CAD SYSTEM: CATIA V5
 MATERIAL: EPP
 FILENAME:

01	INITIAL RELEASE	N/A	29JUL 2016	E. N.
REV LEVEL	CHANGE DESCRIPTION	ECN #	DATE	INITIALS

PART NUMBER: 36 SERIES RINGS INTERCHANEABLE WITH 34 SERIES RINGS		CUSTOMER REVISION LEVEL:	
ENGINEER:		PHONE NUMBER	
DRAWN BY:	ENGINEERING:	MOLDING:	QUALITY:

