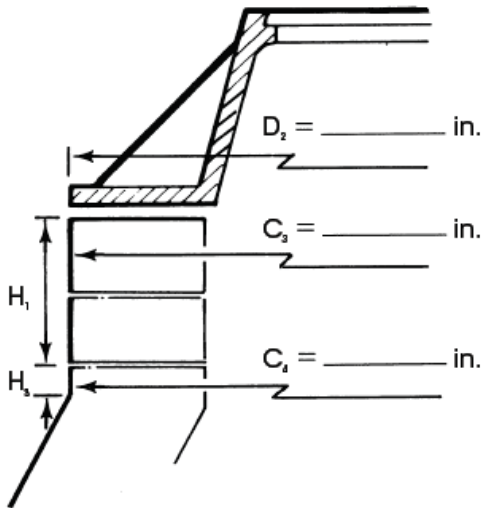




N25 W23790 Commerce Circle – E, Waukesha, WI 53188  
 Tel. (262) 542-8153 (800) 345-3764 FAX (262) 542-0301

Community: \_\_\_\_\_ Manhole No: \_\_\_\_\_  
 Location: \_\_\_\_\_ Date: \_\_\_\_\_

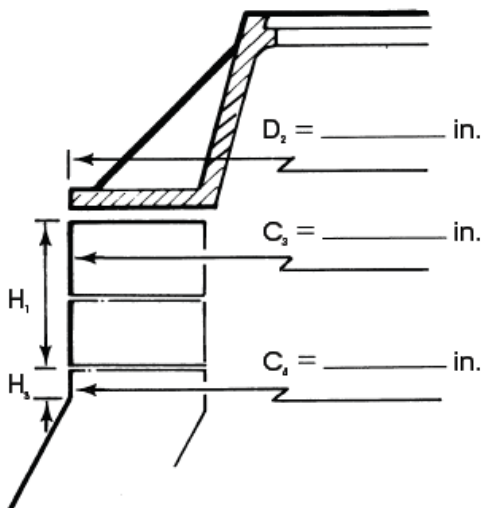


Describe any pertinent factors:

\_\_\_\_\_  
 \_\_\_\_\_  
 \_\_\_\_\_  
 \_\_\_\_\_

Size Required: \_\_\_\_\_  
 Sleeve Width: \_\_\_\_\_ Standard \_\_\_\_\_ Narrow  
 Extension: \_\_\_\_\_ Yes \_\_\_\_\_ No

Community: \_\_\_\_\_ Manhole No: \_\_\_\_\_  
 Location: \_\_\_\_\_ Date: \_\_\_\_\_



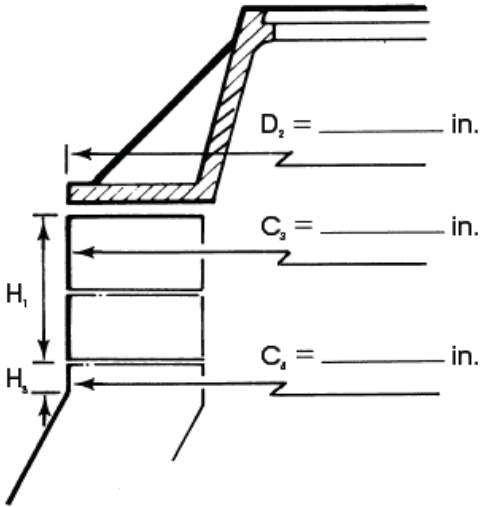
Describe any pertinent factors:

\_\_\_\_\_  
 \_\_\_\_\_  
 \_\_\_\_\_  
 \_\_\_\_\_

Size Required: \_\_\_\_\_  
 Sleeve Width: \_\_\_\_\_ Standard \_\_\_\_\_ Narrow  
 Extension: \_\_\_\_\_ Yes \_\_\_\_\_ No

Community: \_\_\_\_\_ Manhole No: \_\_\_\_\_

Location: \_\_\_\_\_ Date: \_\_\_\_\_



Describe any pertinent factors:

\_\_\_\_\_

\_\_\_\_\_

\_\_\_\_\_

\_\_\_\_\_

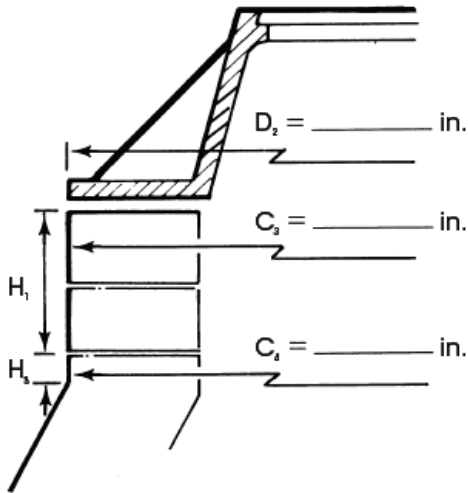
Size Required: \_\_\_\_\_

Sleeve Width: \_\_\_\_\_ Standard \_\_\_\_\_ Narrow

Extension: \_\_\_\_\_ Yes \_\_\_\_\_ No

Community: \_\_\_\_\_ Manhole No: \_\_\_\_\_

Location: \_\_\_\_\_ Date: \_\_\_\_\_



Describe any pertinent factors:

\_\_\_\_\_

\_\_\_\_\_

\_\_\_\_\_

\_\_\_\_\_

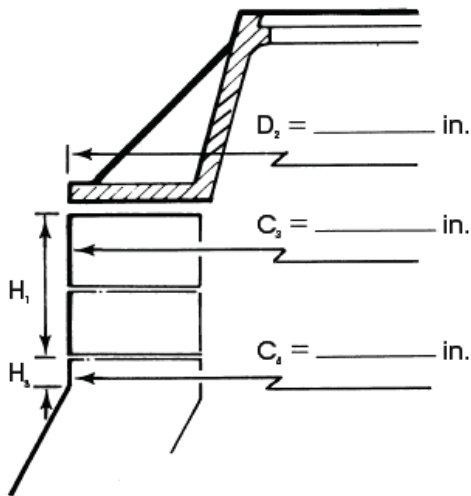
Size Required: \_\_\_\_\_

Sleeve Width: \_\_\_\_\_ Standard \_\_\_\_\_ Narrow

Extension: \_\_\_\_\_ Yes \_\_\_\_\_ No

Community: \_\_\_\_\_ Manhole No: \_\_\_\_\_

Location: \_\_\_\_\_ Date: \_\_\_\_\_



Describe any pertinent factors:

\_\_\_\_\_

\_\_\_\_\_

\_\_\_\_\_

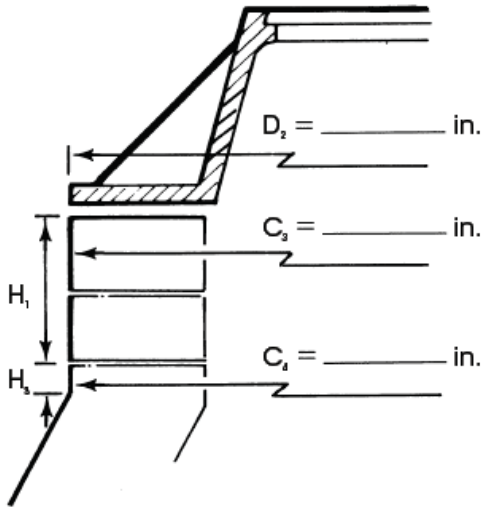
\_\_\_\_\_

Size Required: \_\_\_\_\_

Sleeve Width: \_\_\_\_\_ Standard \_\_\_\_\_ Narrow

Extension: \_\_\_\_\_ Yes \_\_\_\_\_ No

Community: \_\_\_\_\_ Manhole No: \_\_\_\_\_  
 Location: \_\_\_\_\_ Date: \_\_\_\_\_

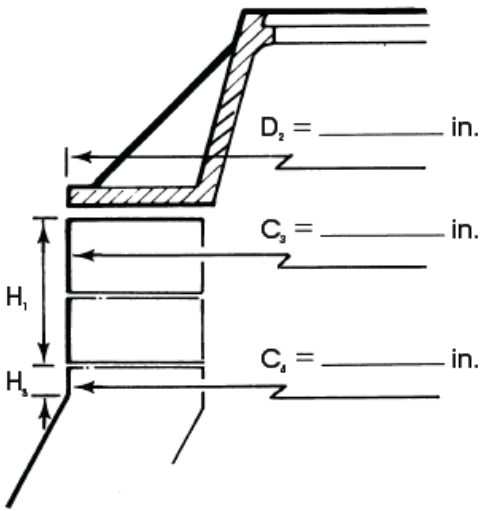


Describe any pertinent factors:

\_\_\_\_\_  
 \_\_\_\_\_  
 \_\_\_\_\_  
 \_\_\_\_\_

Size Required: \_\_\_\_\_  
 Sleeve Width: \_\_\_\_\_ Standard \_\_\_\_\_ Narrow  
 Extension: \_\_\_\_\_ Yes \_\_\_\_\_ No

Community: \_\_\_\_\_ Manhole No: \_\_\_\_\_  
 Location: \_\_\_\_\_ Date: \_\_\_\_\_

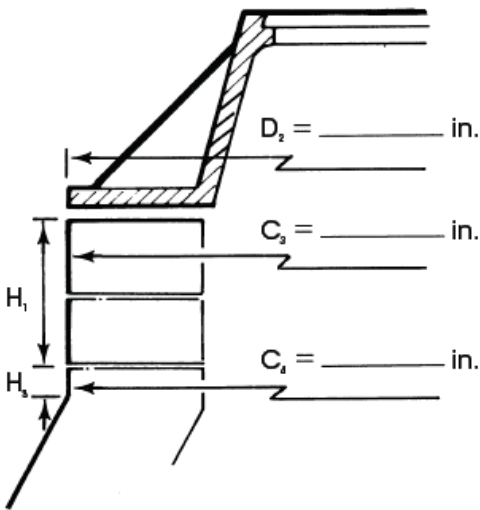


Describe any pertinent factors:

\_\_\_\_\_  
 \_\_\_\_\_  
 \_\_\_\_\_  
 \_\_\_\_\_

Size Required: \_\_\_\_\_  
 Sleeve Width: \_\_\_\_\_ Standard \_\_\_\_\_ Narrow  
 Extension: \_\_\_\_\_ Yes \_\_\_\_\_ No

Community: \_\_\_\_\_ Manhole No: \_\_\_\_\_  
 Location: \_\_\_\_\_ Date: \_\_\_\_\_



Describe any pertinent factors:

\_\_\_\_\_  
 \_\_\_\_\_  
 \_\_\_\_\_  
 \_\_\_\_\_

Size Required: \_\_\_\_\_  
 Sleeve Width: \_\_\_\_\_ Standard \_\_\_\_\_ Narrow  
 Extension: \_\_\_\_\_ Yes \_\_\_\_\_ No