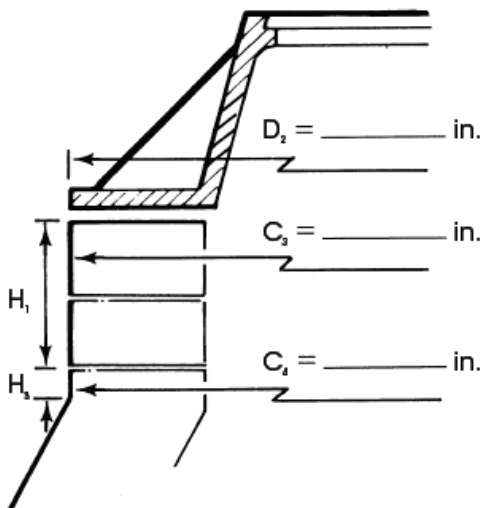




**EXTERNAL SEAL ORDERING AND REPORT FORM**

Community: \_\_\_\_\_ Manhole No: \_\_\_\_\_  
 Location: \_\_\_\_\_ Date: \_\_\_\_\_

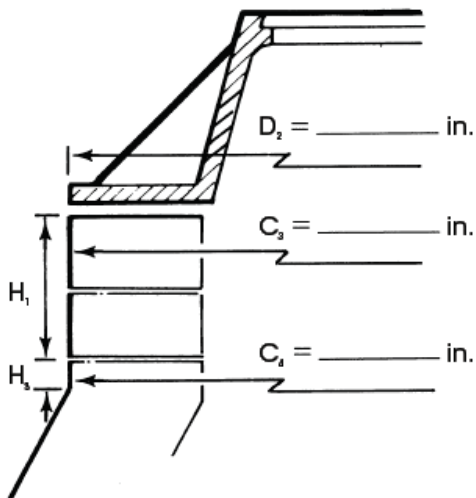


Describe any pertinent factors:

\_\_\_\_\_  
 \_\_\_\_\_  
 \_\_\_\_\_  
 \_\_\_\_\_

Size Required: \_\_\_\_\_  
 Sleeve Width: \_\_\_\_\_ Standard \_\_\_\_\_ Narrow  
 Extension: \_\_\_\_\_ Yes \_\_\_\_\_ No

Community: \_\_\_\_\_ Manhole No: \_\_\_\_\_  
 Location: \_\_\_\_\_ Date: \_\_\_\_\_



Describe any pertinent factors:

\_\_\_\_\_  
 \_\_\_\_\_  
 \_\_\_\_\_  
 \_\_\_\_\_

Size Required: \_\_\_\_\_  
 Sleeve Width: \_\_\_\_\_ Standard \_\_\_\_\_ Narrow  
 Extension: \_\_\_\_\_ Yes \_\_\_\_\_ No